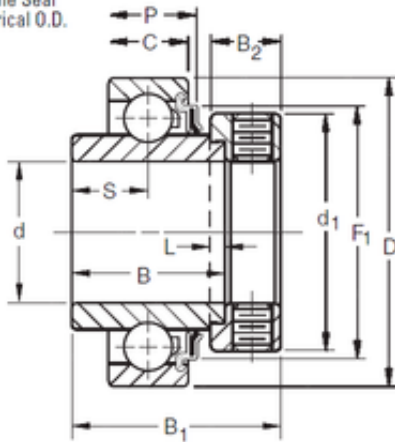




# BEARING DRIVESHAFT, INC.

KR One Seal  
Cylindrical O.D.



## 61,9125 mm x 110 mm x 61,91 mm TIMKEN 1207KR Eccentric Locking Collar Ball Bearings

Bearing No. 1207KR

Size	61.9125x110x61.91 mm
Bore Diameter	61,9125 mm
Outer Diameter	110 mm
Width	61,91 mm
d	61,9125 mm
D	110 mm
B	61,91 mm
C	22 mm
P	26,01 mm
O	30,02 mm
d1	84,1 mm
B1	77,8 mm
B2	22,2 mm
L	6,4 mm
S	31 mm
F1	94,89 mm
Weight	1,565 Kg
Basic dynamic load rating (C)	58,5 kN

1207KR Bearing 2D drawings and 3D CAD models