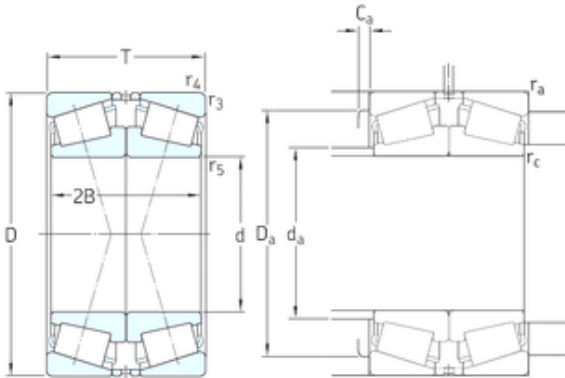




BEARING DRIVESHAFT, INC.

170 mm x 260 mm x 57 mm SKF 32034X/DF Tapered Roller Bearings

Bearing No. 32034X/DF



32034X/DF Bearing 2D drawings and 3D CAD models

Size	170x260x114 mm
Bore Diameter	170 mm
Outer Diameter	260 mm
Width	114 mm
d	170 mm
D	260 mm
T	114 mm
B	57 mm
r3 min.	2,5 mm
r4 min.	2,5 mm
r5 min.	1 mm
2B	114 mm
Ca max.	10 mm
da max	188 mm
Da min	230 mm
Da max.	246 mm
ra max.	2 mm
rc max.	1 mm
Weight	22 Kg
Basic dynamic load rating (C)	880 kN
Basic static load rating (C0)	1830 kN
Fatigue load limit (Pu)	180
Reference speed	1400 r/min
Limiting speed	2200 r/min
Calculation factor (e)	0,44



BEARING DRIVESHAFT,INC.

Calculation factor (Y0)	1,4
Calculation factor (Y1)	1,5